



JOYTECH®

N

NOVATEC

QUALITY • PERFORMANCE • RELIABILITY

HUBS EXTREME FLIGHT PERFORMANCE

2022



INTRO

N NOVATEC IS A PREMIUM PRODUCT LINE MANUFACTURED BY JOY INDUSTRIAL CO., LTD. NOVATEC WAS ESTABLISHED IN 1989 WITH THE GOAL OF PRODUCING OUTSTANDING PERFORMANCE PRODUCTS FOR BICYCLES. SINCE ITS INCEPTION, NOVATEC HAS BEEN HERALDED AS A QUALITY SUPPLIER FOR TOP-TIER BICYCLE AND WHEEL BRANDS ALL OVER THE WORLD. NOVATEC IS DEDICATED TO THE IMPROVEMENT, DESIGN, MANUFACTURE AND SUPPORT OF ALL OUR PRODUCTS IN ALL OF OUR PRODUCT CHANNELS FROM OEM TO AFTERMARKET, BRANDED TO PRIVATED-LABEL, STANDARD TO CUSTOM. NOVATEC IS QUALITY, PERFORMANCE & RELIABILITY

JOYTECH WE HAVE CLOSE TO 50 YEARS EXPERIENCE IN PRODUCING HUBS AND WHEELS. WE CHANGED OUR NAME TO JOY INDUSTRIAL CO., LTD. AND RELOCATED TO TAIWAN - FUNG YUNG IN 1981. WE THEN EXPANDED TO A LARGER FACTORY LOCATED IN TAIWAN - TA YA IN 1975. TO IMPROVE CUSTOMER SERVICE WE ESTABLISHED ANOTHER 2 FACTORIES LOCATED IN SHEN ZHEN, KUN SHAN AND DURING IN 1993, 1998 RESPECTIVELY. IN 2006, EACH COMPANY BEGAN PRODUCTION OF WHEEL SETS TO BROADEN OUR ALREADY VAST PRODUCT OFFERING.





SIX FIVE M


THE WHOLE NEW SYSTEM

- PRO⁺** PREMIUM LEVEL SEALED BEARINGS PRODUCTS
- PRO** HIGH LEVEL SEALED BEARINGS PRODUCTS
- TEAM** MID LEVEL SEALED BEARINGS PRODUCTS
- ELITE** ENTRY LEVEL SEALED BEARINGS PRODUCTS
- CLUB** ENTRY LEVEL LOOSE BALL PRODUCTS

- SP** STRAIGHT PULL HUBS
- SL** SUPER LIGHT J-BEND HUBS
- S** STANDARD J-BEND HUBS

	S	SL	SP
PRO⁺			
PRO			
TEAM			
ELITE			
CLUB			

CONTENTS



ROAD

AS61CB
FS62CB-11S
AS511SB
FS522SB-11S
A291SB-SL
F482SB-SL-11S
A171SB
F172SB-11S
A361SBT
F362TSBT-11S
A171DSE
F362TSE-11S
A173DSE
F364TSE

P10
P10
P10
P10
P11
P11
P11
P11
P11
P11
P12
P12
P12
P12

GRAVEL/ROAD DISC

D411CB-CL-B12
D412CB-CL-B12-11S
D791SB-B12
D792SB-B12-S4S-11S
D411CB-12
D412CB-X12-11S
D411SB-12
D412SB-X12-11S
DS401SB-CL-12
DS402SB-CL-X12-11S
D791SB-12
D792SB-X12-A4A-11S
D981SB-12
D982TSB-X12-11S
D981-12
D982TSE-X12-11S

P14
P14
P14
P14
P15
P15
P15
P15
P15
P15
P16
P16
P16
P16
P16
P16

DIRT JUMP

XD641SB-15
XD262SB-A6A
D252SBT
D252SB-BO-AA
AH41SB
D256SBT
D236DSE
D266DSE

P32
P32
P32
P32
P33
P33
P33
P33

BMX

F176SBT
2155SBT
2156SBT
A075SBT
A076SBT
2155SE
2156SE
F036-14
A075
A076
S01E
S01F

P36
P36
P36
P36
P36
P37
P37
P38
P38
P38
P38
P38

MTB STANDARD QR

D791SB-QR	P18
D792SB-QR-S4S-11S	P18
D041SB	P18
D042SB-S3S-11S	P18
D481SBT	P18
D482SBT-11S	P18
D761SBT	P19
D762SBT-11S	P19
D043SBT	P19
D242SBT	P19
D761DSE-SL	P19
D762TSE-SL-11S	P19
D761DSE	P20
D762TSE-11S	P20
D244DSE	P20
D144TSE	P20
D043DSE	P20
D242DSE	P20

TRACK BIKE

A565SBT	P40
A566SBT	P40
A565DSE	P40
A566DSE	P40

E-MTB BOOST

XDS641SB/A-B15	P22
XDS642SB/A-B12-A6ABG	P22
XD641SB-B15	P22
D902SB-B12-11S	P22
D791SB-B15	P22
D462SB-SL-S3S-B12-MS	P22
D041SB-B15	P23
D442SB-S4S-B12-MS	P23
D471SBT-B5	P23
D472SBT-B5-11S	P23
D041-B15	P24
D952TSE-B12-11S	P24
D761DSE-B5	P24
D762TSE-B5-11S	P24

CITY BIKE

301	P42
511	P42
431	P42
432	P42
F364TSE-135	P43
756DSE	P43
823A	P43
751DSE	P43
752DSE	P43
753DSE	P44
754DSE	P44
436/436DT	P44
433	P44
434	P44

DOWNHILL SUPER BOOST

XD641SB/A-20	P26
XDH42SB/A-A6ABG	P26
D951SB-SL-B20	P26
DH92SB-A4A-157-MS	P26
DH61SB-HL	P26
DH82SB-S4S-11S	P26

FOLDING BIKE

D083SB	P46
A551SB	P46
A215SB	P46
A011SB-BO	P46
F316SBT	P46
A215	P46

FAT BIKE

D201SB-15	P28
D502SB-S6S-X12	P28
D101SB-15	P28
D402SB-S6S-X12	P28
D101DSE	P29
D102TSE	P29
D103DSE	P29
D104TSE	P29

QUICK RELEASES

QR270	P48
QR274	P48
QR279	P48
QR249	P48
QR227	P48
QR216	P48
QR279 M9/M10	P48
TA12	P48
TA15	P48
QR264	P48
QR269	P48
QR278	P48



TSE

2 PAWLS WITH 15T LOOSE BALL CASSETTE BODY



TA-TSE

2 PAWLS WITH 15T LOOSE BALL THROUGH AXLE CASSETTE BODY



TSBT

2 PAWLS WITH 15T SEALED BEARING CASSETTE BODY



TA-TSB

2 PAWLS WITH 15T SEALED BEARING THROUGH AXLE CASSETTE BODY



F2-333

3 PAWLS WITH 33T 2 SEALED BEARINGS CASSETTE BODY



A327

3 PAWLS WITH 27T 2 SEALED BEARINGS OD12 CASSETTE BODY



B427

4 PAWLS WITH 27T 2 SEALED BEARINGS OD15 CASSETTE BODY



B2-427

4 PAWLS WITH 27T 2 SEALED BEARINGS OD15 LIGHT WEIGHT CASSETTE BODY



E440

4 PAWLS WITH 40T 2 SEALED BEARINGS OD17 CASSETTE BODY



R642

6 PAWLS WITH 42T 2 SEALED BEARINGS OD17 CASSETTE BODY

TECHNOLOG



SEALED BEARING

TOP QUALITY JAPANESE BEARING, ENSURING THE NOVATEC WHEELS ROLL FAST & FRICTION - FREE



REPLACEABLE BEARING

DOUBLE & QUAD BEARING CONFIGURATION ARE REPLACEABLE SHOULD THEY WEAR OUT - NOT THAT WE EXPECT THAT TO HAPPEN



UPGRADED

PRODUCT WAS UPGRADED FROM PREVIOUS VERSION



A.B.G

ANTI BITE GUARD IS A REINFORCED STEEL RIB INTEGRATED INTO AN ALLOY CASSETTE BODY SPLINES TO MITIGATED DAMAGE



LRD

FOR BMX SPECIALLY DESIGNED RATCHET RING ALLOWS INTERCHANGE BETWEEN RIGHT AND LEFT SIDE DRIVE



2IN1

TWO IN ONE SYSTEM ALLOWS FOR EASIER INTERCHANGE BETWEEN FREEWHEELS AND DRIVE UNIT



3IN1

THREE IN ONE SYSTEM, ALLOWING CONVERSION BETWEEN STANDARD QR, 9, 12 / 15



4IN1

FOUR IN ONE SYSTEM, ALLOWING CONVERSION BETWEEN STANDARD QR, 9, 15 / 20 FRONT AXLES QR, 10, 12 & X12 REAR AXLES



EASY 3IN1

FOR ROAD EASY 3IN1 HUB SYSTEM CONTAINS ALL PARTS NECESSARY TO INTERFACE WITH SHIMANO OR CAMPY



ROAD

S

SL

SP

PRO⁺

AS61CB
FS62CB-11S

PRO

A291SB-SL
F482SB-SL-11S

AS511SB
FS522SB-11S

TEAM

A171SB
F172SB-11S

ELITE

A361SBT
F362TSBT-11S

CLUB

A171DSE
F362TSE-11S
A173DSE
F364TSE





SP-PRO⁺

AS61CB

CARBON STRAIGHT PULL HUB
WEIGHT 72G
SEALED BEARING 2
SPOKE HOLES 20
GAUGE 14
O.L.D 100
AXLE 9
AXLE MATERIAL ALLOY
P.C.D 31.5
F.T.F 80.4



SP-PRO⁺

FS62CB-11S

CARBON STRAIGHT PULL HUB
WEIGHT 215G
SEALED BEARING 4
SPOKE HOLES 24
GAUGE 14
O.L.D 130
AXLE 10
AXLE MATERIAL ALLOY
P.C.D 34/47
F.T.F 67.8
OFFSET 24H:12.7
PAWLS 4
XDR AND CAMPY 12S
FREEHUB BODY COMPATIBLE



SP-PRO

AS511SB

ALLOY STRAIGHT PULL HUB
WEIGHT 77G
SEALED BEARING 2
SPOKE HOLES 20
GAUGE 14
O.L.D 100
AXLE 9
AXLE MATERIAL ALLOY
P.C.D 31.5
F.T.F 80.4



SP-PRO

FS522SB-11S

ALLOY STRAIGHT PULL HUB
WEIGHT 219G
SEALED BEARING 4
SPOKE HOLES 24
GAUGE 14
O.L.D 130
AXLE 10
AXLE MATERIAL ALLOY
P.C.D 34/47
F.T.F 67.8
OFFSET 24H:12.7
PAWLS 4
XDR AND CAMPY 12S
FREEHUB BODY COMPATIBLE





SL-PRO

A291SB-SL

ALLOY J-HOOK HUB
 WEIGHT 60G
 SEALED BEARING 2
 SPOKE HOLES 20 24 28 32
 GAUGE 14/15
 O.L.D 100
 AXLE 9
 AXLE MATERIAL ALLOY
 P.C.D 30
 F.T.F 68.7



S-TEAM

A171SB

ALLOY J-HOOK HUB
 WEIGHT 113G
 SEALED BEARING 2
 SPOKE HOLES 20 24 28
 GAUGE 14
 O.L.D 100
 AXLE 9
 AXLE MATERIAL ALLOY
 P.C.D 38
 F.T.F 65.6



S-ELITE

A361SBT

ALLOY J-HOOK HUB
 WEIGHT 163G
 SEALED BEARING 2
 SPOKE HOLES 20 24 28 32 36
 GAUGE 14
 O.L.D 100
 AXLE 9
 AXLE MATERIAL CRMO
 P.C.D 38
 F.T.F 72



SL-PRO

F482SB-SL-11S

ALLOY J-HOOK HUB
 WEIGHT 228G
 SEALED BEARING 4
 SPOKE HOLES 20 24 28 32
 GAUGE 14
 O.L.D 130
 AXLE 10
 AXLE MATERIAL ALLOY
 P.C.D 41/49
 F.T.F 56.6
 OFFSET 10.2
 PAWLS 4
 XDR AND CAMPY 12S
 FREEHUB BODY COMPATIBLE



S-TEAM

F172SB-11S

ALLOY J-HOOK HUB
 WEIGHT 272G
 SEALED BEARING 4
 SPOKE HOLES 20 24
 GAUGE 14
 O.L.D 130
 AXLE 10
 AXLE MATERIAL ALLOY
 P.C.D 49
 F.T.F 50.6
 OFFSET 130:9.85
 135:7.65
 PAWLS 3
 XDR AND CAMPY 12S
 FREEHUB BODY COMPATIBLE



S-ELITE

F362TSBT-11S

ALLOY J-HOOK HUB
 WEIGHT 402G
 SEALED BEARING 2
 SPOKE HOLES 20 24 28 32 36
 GAUGE 14
 O.L.D 130 - 135
 AXLE 10
 AXLE MATERIAL CRMO
 P.C.D 45
 F.T.F 50.4
 OFFSET 6.25
 PAWLS 2





S-CLUB

A171DSE

ALLOY J-HOOK HUB
 WEIGHT 151G
 SPOKE HOLES 20 24 28 32 36
 GAUGE 14
 O.L.D 100
 AXLE 9
 AXLE MATERIAL CRMO
 P.C.D 38
 F.T.F 65.6



S-CLUB

A173DSE

ALLOY J-HOOK HUB
 WEIGHT 194G
 SPOKE HOLES 20 24 28 32
 GAUGE 14
 O.L.D 100
 AXLE 3/8X140、145
 AXLE MATERIAL CRMO
 P.C.D 38
 F.T.F 72



S-CLUB

F362TSE-11S

ALLOY J-HOOK HUB
 WEIGHT 408G
 SPOKE HOLES 24 28 32 36
 GAUGE 14
 O.L.D 130、135
 AXLE 10
 AXLE MATERIAL CRMO
 P.C.D 45
 F.T.F 50.8
 OFFSET 130:9.74
 135:4.6
 PAWLS 2



S-CLUB

F364TSE

ALLOY J-HOOK HUB
 WEIGHT 447G
 SPOKE HOLES 24 28 32 36
 GAUGE 14
 O.L.D 130、135
 AXLE 10X175、180、185
 AXLE MATERIAL CRMO
 P.C.D 45
 F.T.F 50.4
 OFFSET 4.29
 PAWLS 2



GRAVEL ROAD DISC



S

SL

SP

PRO⁺

D411CB-CL-B12
D412CB-CL-B12-11S
D411GB-12
D412CB-X12-11S

PRO

D411SB-12
D412SB-X12-11S
DS401SB-CL-12
DS402SB-CL-X12-11S

TEAM

D791SB-B12
D792SB-B12-S4S-11S
D791SB-12
D792SB-X12-A4A-11S

ELITE

D981SB-12
D982TSB-X12-11S

CLUB

D981-12
D982TSE-X12-11S

BOOST



SP-PRO+ D411CB-CL-B12

CARBON STRAIGHT PULL DISC HUB
 WEIGHT 87G
 SEALED BEARING 2
 SPOKE HOLES 24
 GAUGE 14
 O.L.D 110
 AXLE 12
 AXLE MATERIAL ALLOY
 P.C.D 37
 F.T.F 51.3
 OFFSET 2.8



SP-PRO+ D412CB-CL-B12-11S

CARBON STRAIGHT PULL DISC HUB
 WEIGHT 233G
 SEALED BEARING 4
 SPOKE HOLES 24
 GAUGE 14
 O.L.D 148
 AXLE 12
 AXLE MATERIAL ALLOY
 P.C.D 34/47
 F.T.F 65.2
 OFFSET 6.65
 PAWLS 4
 XDR AND CAMPY 12S
 FREEHUB BODY COMPATIBLE



SL-TEAM D791SB-B12

ALLOY J-HOOK HUB
 WEIGHT 211G
 SEALED BEARING 2
 SPOKE HOLES 24 28 32 36
 GAUGE 14
 O.L.D 110
 AXLE 12
 AXLE MATERIAL ALLOY
 P.C.D 58/45
 F.T.F 56.4
 OFFSET 7.2
 CENTER LOCK:D791SB-CL-B12



SL-TEAM D792SB-B12-S4S-11S

ALLOY J-HOOK HUB
 WEIGHT 407G
 SEALED BEARING 4
 SPOKE HOLES 28 32 36
 GAUGE 14
 O.L.D 148
 AXLE 12
 AXLE MATERIAL CROM
 P.C.D 58/49
 F.T.F 63.1
 OFFSET 7.8
 PAWLS 4
 CENTER LOCK:
 D792SB-CL-B12-S4S-11S
 XDR AND CAMPY 12S
 FREEHUB BODY COMPATIBLE





SP-PRO+

D411CB-12

CARBON STRAIGHT PULL DISC HUB
 WEIGHT 83G
 SEALED BEARING 2
 SPOKE HOLES 24
 GAUGE 14
 O.L.D 100
 AXLE 12
 AXLE MATERIAL ALLOY
 P.C.D 34
 F.T.F 63.5
 OFFSET 3.25
 CENTER LOCK:D411CB-CL-12



AVAILABLE



SP-PRO

D411SB-12

ALLOY STRAIGHT PULL DISC HUB
 WEIGHT 85G
 SEALED BEARING 2
 SPOKE HOLES 24
 GAUGE 14
 O.L.D 100
 AXLE 12
 AXLE MATERIAL ALLOY
 P.C.D 34
 F.T.F 63.5
 OFFSET 3.25
 CENTER LOCK:D411SB-CL-12



AVAILABLE



SP-PRO

DS401SB-CL-12

ALLOY STRAIGHT PULL DISC HUB
 WEIGHT 125G
 SEALED BEARING 2
 SPOKE HOLES 24
 GAUGE 14
 O.L.D 100
 AXLE 12
 AXLE MATERIAL ALLOY
 P.C.D 37
 F.T.F 65.45
 OFFSET 3.3



AVAILABLE



SP-PRO+

D412CB-X12-11S

CARBON STRAIGHT PULL DISC HUB
 WEIGHT 230G
 SEALED BEARING 4
 SPOKE HOLES 24
 GAUGE 14
 O.L.D 142
 AXLE 12
 AXLE MATERIAL ALLOY
 P.C.D 34/47
 F.T.F 60.8
 OFFSET 6.65
 PAWLS 4
 CENTER LOCK:
 D412CB-CL-X12-11S
 XDR AND CAMPY 12S
 FREEHUB BODY COMPATIBLE



AVAILABLE



SP-PRO

D412SB-X12-11S

ALLOY STRAIGHT PULL DISC HUB
 WEIGHT 238G
 SEALED BEARING 4
 SPOKE HOLES 24
 GAUGE 14
 O.L.D 142
 AXLE 12
 AXLE MATERIAL ALLOY
 P.C.D 34/47
 F.T.F 60.8
 OFFSET 6.65
 PAWLS 4
 CENTER LOCK:
 D412SB-CL-X12-11S
 XDR AND CAMPY 12S
 FREEHUB BODY COMPATIBLE



AVAILABLE



SP-PRO

DS402SB-CL-X12-11S

ALLOY STRAIGHT PULL DISC HUB
 WEIGHT 257G
 SEALED BEARING 4
 SPOKE HOLES 24
 GAUGE 14
 O.L.D 142
 AXLE 12
 AXLE MATERIAL ALLOY
 P.C.D 34/47
 F.T.F 59.8
 OFFSET 6.7
 PAWLS 4
 CENTER LOCK:
 XDR AND CAMPY 12S
 FREEHUB BODY COMPATIBLE



AVAILABLE



SL-TEAM

D791SB-12

ALLOY J-HOOK HUB
 WEIGHT 171G
 SEALED BEARING 2
 SPOKE HOLES 20 24 28 32 36
 GAUGE 14
 O.L.D 100
 AXLE 12
 AXLE MATERIAL ALLOY
 P.C.D 58/45
 F.T.F 62
 OFFSET 7.7
 CENTER LOCK:D791SB-CL-12



SL-TEAM

D792SB-X12-A4A-11S

ALLOY J-HOOK HUB
 WEIGHT 290G
 SEALED BEARING 4
 SPOKE HOLES 24 28 32 36
 GAUGE 14
 O.L.D 142
 AXLE 12
 AXLE MATERIAL ALLOY
 P.C.D 58/49
 F.T.F 56.4
 OFFSET 7.4
 PAWLS 4
 CENTER LOCK:
 D792SB-CL-X12-11S
 XDR AND CAMPY 12S
 FREEHUB BODY COMPATIBLE



S-ELITE

D981SB-12

ALLOY J-HOOK DISC HUB
 WEIGHT 205G
 SEALED BEARING 2
 SPOKE HOLES 24 28 32 36
 GAUGE 14
 O.L.D 100
 AXLE 12
 AXLE MATERIAL CRMO
 P.C.D 58/45
 F.T.F 55
 OFFSET 7.7
 CENTER LOCK:D981SB-CL-12



S-ELITE

D982TSB-X12-11S

ALLOY J-HOOK DISC HUB
 WEIGHT 384G
 SPOKE HOLES 28 32 36
 GAUGE 14
 O.L.D 142
 AXLE 12
 AXLE MATERIAL CRMO
 P.C.D 58/49
 F.T.F 57
 OFFSET 7.2
 PAWLS 2
 CENTER LOCK:
 D982TSB-CL-X12-11S



S-CLUB

D981-12

ALLOY J-HOOK DISC HUB
 WEIGHT 218G
 SPOKE HOLES 24 28 32 36
 GAUGE 14
 O.L.D 100
 AXLE 12
 AXLE MATERIAL CRMO
 P.C.D 58/45
 F.T.F 55
 OFFSET 7.7
 CENTER LOCK:D981-CL-12



S-CLUB

D982TSE-X12-11S

ALLOY J-HOOK DISC HUB
 WEIGHT 411G
 SPOKE HOLES 28 32 36
 GAUGE 14
 O.L.D 142
 AXLE 12
 AXLE MATERIAL CRMO
 P.C.D 58/49
 F.T.F 50
 OFFSET 7.2
 PAWLS 2
 CENTER LOCK:D982TSE-CL-X12-11S



MTB STANDARD QR

S

SL

SP

PRO⁺

PRO

TEAM

D041SB
D042SB-S3S-11S

D791SB-QR
D792SB-QR-S4S-11S

ELITE

D761SBT
D762TSBT-11S
D043SBT
D242SBT

D481SBT
D482TSBT-11S

CLUB

D761DSE D043DSE
D762TSE-11S D242DSE
D244DSE
D144TSE

D761DSE-SL
D762TSE-SL-11S





SL-TEAM

D791SB-QR

ALLOY J-HOOK HUB
 WEIGHT 197G
 SEALED BEARING 2
 SPOKE HOLES 20 24 28 32 36
 GAUGE 14
 O.L.D 100
 AXLE 9
 AXLE MATERIAL ALLOY
 P.C.D 58/49
 F.T.F 50.9
 OFFSET 7.7
 CENTER LOCK:D791SB-CL-QR



SL-TEAM

D792SB-QR-S4S-11S

ALLOY J-HOOK HUB
 WEIGHT 487G
 SEALED BEARING 4
 SPOKE HOLES 24 28 32 36
 GAUGE 14
 O.L.D 135
 AXLE 10
 AXLE MATERIAL CRMO
 P.C.D 58
 F.T.F 50.9
 OFFSET 7.4
 PAWLS 4
 CENTER LOCK:
 D792SB-CL-QR-S4S-11S
 XD DRIVER COMPATIBLE



S-TEAM

D041SB

ALLOY J-HOOK HUB
 WEIGHT 217G
 SEALED BEARING 2
 SPOKE HOLES 28 32 36 40
 GAUGE 14
 O.L.D 100
 AXLE 9
 AXLE MATERIAL ALLOY
 P.C.D 58
 F.T.F 62
 OFFSET 7.2



S-TEAM

D042SB-S3S-11S

ALLOY J-HOOK HUB
 WEIGHT 489G
 SEALED BEARING 4
 SPOKE HOLES 24 28 32 36 40
 GAUGE 14
 O.L.D 135、145
 AXLE 10
 AXLE MATERIAL CRMO
 P.C.D 58
 F.T.F 59.3
 OFFSET 7.45
 PAWLS 3



SL-ELITE

D481SBT

ALLOY J-HOOK HUB
 WEIGHT 287G
 SEALED BEARING 2
 SPOKE HOLES 28 32 36
 GAUGE 14
 O.L.D 100
 AXLE 9
 AXLE MATERIAL CRMO
 P.C.D 58
 F.T.F 62
 OFFSET 7.2



SL-ELITE

D482TSBT-11S

ALLOY J-HOOK HUB
 WEIGHT 476G
 SEALED BEARING 2
 SPOKE HOLES 28 32 36
 GAUGE 14
 O.L.D 135
 AXLE 10
 AXLE MATERIAL CRMO
 P.C.D 58
 F.T.F 57.7
 OFFSET 7.3
 PAWLS 2





S-ELITE

D761SBT

ALLOY J-HOOK DISC HUB
 WEIGHT 257G
 SEALED BEARING 2
 SPOKE HOLES 24 28 32 36
 GAUGE 14
 O.L.D 100
 AXLE 9
 AXLE MATERIAL CRMO
 P.C.D 58
 F.T.F 62
 OFFSET 7.3



S-ELITE

D043SBT

ALLOY J-HOOK DISC HUB
 WEIGHT 323G
 SEALED BEARING 2
 SPOKE HOLES 32 36
 GAUGE 14
 O.L.D 100
 AXLE 3/8X140、145、150
 AXLE MATERIAL CRMO
 P.C.D 58
 F.T.F 62
 OFFSET 7.2



SL-CLUB

D761DSE-SL

ALLOY J-HOOK HUB
 WEIGHT 238G
 SPOKE HOLES 24 28 32 36
 GAUGE 14
 O.L.D 100
 AXLE 9
 AXLE MATERIAL CRMO
 P.C.D 58
 F.T.F 62
 OFFSET 7.3



S-ELITE

D762TSBT-11S

ALLOY J-HOOK DISC HUB
 WEIGHT 470G
 SEALED BEARING 2
 SPOKE HOLES 24 28 32 36
 GAUGE 14
 O.L.D 135
 AXLE 10
 AXLE MATERIAL CRMO
 P.C.D 58
 F.T.F 57.1
 OFFSET 7.3
 PAWLS 2



S-ELITE

D242SBT

ALLOY J-HOOK DISC HUB
 WEIGHT 321G
 SEALED BEARING 2
 SPOKE HOLES 32
 GAUGE 14
 O.L.D 135
 AXLE 10
 AXLE MATERIAL CRMO
 P.C.D 58
 F.T.F 58



SL-CLUB

D762TSE-SL-11S

ALLOY J-HOOK HUB
 WEIGHT 448G
 SPOKE HOLES 24 28 32 36
 GAUGE 14
 O.L.D 135
 AXLE 10
 AXLE MATERIAL CRMO
 P.C.D 58
 F.T.F 57.1
 OFFSET 7.3
 PAWLS 2





S-CLUB

D761DSE

ALLOY J-HOOK HUB
 WEIGHT 240G
 SPOKE HOLES 24 28 32 36
 GAUGE 14
 O.L.D 100
 AXLE 9
 AXLE MATERIAL CRMO
 P.C.D 58
 F.T.F 62
 OFFSET 7.3
 CENTER LOCK:D761DSE-CL



S-CLUB

D762TSE-11S

ALLOY J-HOOK HUB
 WEIGHT 460G
 SPOKE HOLES 24 28 32 36
 GAUGE 14
 O.L.D 135
 AXLE 10
 AXLE MATERIAL CRMO
 P.C.D 58
 F.T.F 57.1
 OFFSET 7.3
 PAWLS 2
 CENTER LOCK:D762TSE-CL-11S



S-CLUB

D244DSE

ALLOY J-HOOK DISC HUB
 WEIGHT 387G
 SPOKE HOLES 32 36
 GAUGE 14
 O.L.D 135
 AXLE 3/8X165、180、185
 AXLE M10X180
 AXLE MATERIAL CRMO
 P.C.D 58
 F.T.F 58
 OFFSET 6.9



S-CLUB

D144TSE

ALLOY J-HOOK DISC HUB
 WEIGHT 552G
 SPOKE HOLES 32 36
 GAUGE 14
 O.L.D 135
 AXLE M10X185
 AXLE MATERIAL CRMO
 P.C.D 58
 F.T.F 59
 OFFSET 6.5
 PAWLS 2



S-CLUB

D043DSE

ALLOY J-HOOK DISC HUB
 WEIGHT 313G
 SPOKE HOLES 32 36
 GAUGE 14
 O.L.D 100
 AXLE 3/8X138、140、145、150、170
 AXLE M9X140
 AXLE MATERIAL CRMO
 P.C.D 58
 F.T.F 62
 OFFSET 7.2



S-CLUB

D242DSE

ALLOY J-HOOK DISC HUB
 WEIGHT 330G
 SPOKE HOLES 32 36
 GAUGE 13/14
 O.L.D 135
 AXLE 10
 AXLE MATERIAL CRMO
 P.C.D 58
 F.T.F 58
 OFFSET 7.5

E-MTB BOOST

S

SL

SP

PRO⁺

XDS641SB/A-B15
XDS642SB/A-B12-A6ABG

PRO

XD641SB-B15
D902SB-B12-11S

TEAM

D791SB-B15
D462SB-SL-S3S-B12-MS

ELITE

D471SBT-B5 D041SB-B15
D472SBT-B5-11S D442SB-S4S-B12-MS

CLUB

D041-B15
D952TSE-B12-11S
D761DSE-B5
D762TSE-B5-11S





SP-PRO⁺

XDS641SB/A-B15

ALLOY STRAIGHT PULL DISC HUB
 WEIGHT 170G
 SEALED BEARING 2
 SPOKE HOLES 28
 GAUGE 14
 O.L.D 110
 AXLE 15
 AXLE MATERIAL ALLOY
 P.C.D 37
 F.T.F 77.5
 OFFSET 6.5
 15X100:XDS641SB/A-15



SL-PRO

XD641SB-B15

ALLOY J-HOOK DISC HUB
 WEIGHT 196G
 SEALED BEARING 2
 SPOKE HOLES 32
 GAUGE 14
 O.L.D 110
 AXLE 15
 AXLE MATERIAL ALLOY
 P.C.D 58
 F.T.F 69.5
 OFFSET 5.9
 15X100:XD641SB-15



SL-TEAM

D791SB-B15

ALLOY J-HOOK DISC HUB
 WEIGHT 170G
 SEALED BEARING 2
 SPOKE HOLES 24 28 32 36
 GAUGE 14
 O.L.D 110
 AXLE 15
 AXLE MATERIAL ALLOY
 P.C.D 58/45
 F.T.F 71.2
 OFFSET 7.2
 CENTER LOCK:D791SB-CL-B15
 15X100:D791SB-15



SP-PRO⁺

XDS642SB/A-B12-A6ABG

ALLOY STRAIGHT PULL DISC HUB
 WEIGHT 318G
 SEALED BEARING 4
 SPOKE HOLES 28
 GAUGE 14
 O.L.D 148
 AXLE 12
 AXLE MATERIAL ALLOY
 P.C.D 45.5/59
 F.T.F 68.3
 OFFSET 7.9
 PAWLS 6
 X12:XDS642SB/A-X12-A6ABG
 XD DRIVER COMPATIBLE



SL-PRO

D902SB-B12-11S

ALLOY J-HOOK DISC HUB
 WEIGHT 370G
 SEALED BEARING 4
 SPOKE HOLES 32 36
 GAUGE 13 14
 O.L.D 148
 AXLE 12
 AXLE MATERIAL ALLOY · CRMO
 P.C.D 62
 F.T.F 62.1
 OFFSET 7.6
 PAWLS 4
 XD DRIVER COMPATIBLE
 MICRO SPLINE COMPATIBLE
 CENTER LOCK: D902SB-CL-B12-11S



SL-TEAM

D462SB-SL-S3S-B12-MS

ALLOY J-HOOK DISC HUB
 WEIGHT 444G
 SEALED BEARING 4
 SPOKE HOLES 28 32 36
 GAUGE 13 14
 O.L.D 148
 AXLE 12
 AXLE MATERIAL CRMO
 P.C.D 58/49
 F.T.F 64.5
 OFFSET 7.5
 PAWLS 3
 CENTER LOCK:
 D462SB-CL-B12-11S
 X12:D462SB-SL-X12-S3S-11S
 XD DRIVER COMPATIBLE
 MICRO SPLINE COMPATIBLE





SL-ELITE

D041SB-B15

ALLOY J-HOOK DISC HUB
 WEIGHT 193G
 SEALED BEARING 2
 SPOKE HOLES 28 32
 28/14G 32/13G 36/13G
 GAUGE 13 14
 O.L.D 110
 AXLE 15
 AXLE MATERIAL ALLOY
 P.C.D 58
 F.T.F 72
 OFFSET 7.2



S-ELITE

D442SB-S4S-B12-MS

ALLOY J-HOOK DISC HUB
 WEIGHT 491G (MS)
 SEALED BEARINGS 4
 SPOKE HOLES 28 32 36
 GAUGE 14
 O.L.D 148
 AXLE 12
 AXLE MATERIAL CRMO
 P.C.D 58
 F.T.F 62.9
 OFFSET 7.5
 PAWLS 4
 X12:D442SB-S4S-X12-MS
 MICRO SPLINE COMPATIBLE



S-ELITE

D471SBT-B5

ALLOY J-HOOK HUB
 WEIGHT 338G
 SEALED BEARING 2
 SPOKE HOLES 28 32 36
 GAUGE 14
 O.L.D 110
 AXLE 9
 AXLE MATERIAL CRMO
 P.C.D 58
 F.T.F 72
 OFFSET 7.2



S-ELITE

D472TSBT-B5-11S

ALLOY J-HOOK HUB
 WEIGHT 560G
 SPOKE HOLES 28 32 36
 GAUGE 14
 O.L.D 141
 AXLE 10
 AXLE MATERIAL CRMO
 P.C.D 58
 F.T.F 63.4
 OFFSET 7.35
 PAWLS 2





S-CLUB

D041-B15

ALLOY J-HOOK DISC HUB
WEIGHT 278G
SPOKE HOLES
24 28 32/13G 36/13G
GAUGE 13 14
O.L.D 110
AXLE 15
AXLE MATERIAL ALLOY
P.C.D 58
F.T.F 72
OFFSET 7.3



S-CLUB

D761DSE-B5

ALLOY J-HOOK HUB
WEIGHT 287G
SPOKE HOLES 28 32 36
GAUGE 14
O.L.D 110
AXLE 9
AXLE MATERIAL CRMO
P.C.D 58
F.T.F 62
OFFSET 7.2



S-CLUB

D952TSE-B12-11S

ALLOY J-HOOK HUB
WEIGHT 407G
SPOKE HOLES 28 32 36
GAUGE 14
O.L.D 148
AXLE 12
AXLE MATERIAL CRMO
P.C.D 58/49
F.T.F 56.4
OFFSET 7
PAWLS 2+15T
CENTER LOCK:
D952TSE-CL-B12-11S
X12:D952TSE-X12-11S



S-CLUB

D762TSE-B15-11S

ALLOY J-HOOK HUB
WEIGHT 460G
SPOKE HOLES 32 36
GAUGE 14
O.L.D 141
AXLE 10
AXLE MATERIAL CRMO
P.C.D 58
F.T.F 63.1
OFFSET 7.7
PAWLS 2



DOWNHILL SUPER BOOST

S

SL

SP

PRO⁺

XD641SB/A-20
XDH42SB/A-A6ABG

PRO

D951SB-SL-B20
DH92SB-A4A-157-MS

TEAM

DH61SB-HL
DH82SB-S4S-11S

ELITE

CLUB





SL-PRO+

XD641SB/A-20

ALLOY J-HOOK DISC HUB
 WEIGHT 192G
 SEALED BEARING 2
 SPOKE HOLES 28 32
 GAUGE 14
 O.L.D 110
 AXLE 20
 AXLE MATERIAL ALLOY
 P.C.D 58
 F.T.F 59.5
 OFFSET 5.9



SL-PRO+

XDH42SB/A-A6ABG

ALLOY J-HOOK DISC HUB
 WEIGHT 352G
 SEALED BEARING 4
 SPOKE HOLES 32
 GAUGE 14
 O.L.D 150/157
 AXLE 12
 AXLE MATERIAL ALLOY
 P.C.D 62
 F.T.F 72.9
 OFFSET 6.8
 PAWLS 6
 XD DRIVER COMPATIBLE



SL-PRO

D951SB-SL-B20

ALLOY J-HOOK DISC HUB
 WEIGHT 220G
 SEALED BEARING 2
 SPOKE HOLES 28 32
 GAUGE 14
 O.L.D 110
 AXLE 20
 AXLE MATERIAL ALLOY
 P.C.D 58/49
 F.T.F 64.5
 OFFSET 7.5



SL-PRO

DH92SB-A4A-157-MS

ALLOY J-HOOK DISC HUB
 WEIGHT 393G
 SEALED BEARING 4
 SPOKE HOLES 32
 GAUGE 14
 O.L.D 150/157
 AXLE 12
 AXLE MATERIAL ALLOY
 P.C.D 44
 F.T.F 71.4
 OFFSET 7.6
 PAWLS 4
 XD DRIVER COMPATIBLE



S-TEAM

DH61SB-HL

ALLOY J-HOOK DISC HUB
 WEIGHT 185G
 SEALED BEARING 2
 SPOKE HOLES 32 36
 GAUGE 14
 O.L.D 110
 AXLE 20
 AXLE MATERIAL ALLOY
 P.C.D 58/45
 F.T.F 60
 OFFSET 6



S-TEAM

DH82SB-S4S-11S

ALLOY J-HOOK DISC HUB
 WEIGHT 400G
 SEALED BEARING 4
 SPOKE HOLES 28 32
 GAUGE 14
 O.L.D 150/157
 AXLE 12
 AXLE MATERIAL CRMO
 P.C.D 58/49
 F.T.F 74.45
 OFFSET 7
 PAWLS 4
 XD DRIVER COMPATIBLE



FAABKE

S

SL

SP

PRO⁺

PRO

TEAM

D201SB-15
D502SB-S6S-X12
D101SB-15
D402SB-S6S-X12

ELITE

CLUB

D101DSE
D102TSE
D103DSE
D104TSE



S-TEAM

D201SB-15

ALLOY J-HOOK HUB
 WEIGHT 350G
 SEALED BEARING 2
 SPOKE HOLES 32
 GAUGE 14
 O.L.D 150
 AXLE MATERIAL ALLOY
 P.C.D 58
 F.T.F 71



S-TEAM

D101SB-15

ALLOY J-HOOK HUB
 WEIGHT 196G
 SEALED BEARING 2
 SPOKE HOLES 32 36
 GAUGE 14
 O.L.D 135
 AXLE MATERIAL ALLOY
 P.C.D 58
 F.T.F 72



S-TEAM

D502SB-S6S-X12

ALLOY J-HOOK HUB
 WEIGHT
 197L-11S 653G
 197L-S11 639G
 SEALED BEARING 6
 SPOKE HOLES 32
 GAUGE 14
 O.L.D 197
 AXLE 12
 AXLE MATERIAL CRMO
 P.C.D 62
 F.T.F 94.6
 OFFSET 20
 PAWLS 6
 XD DRIVER COMPATIBLE



S-TEAM

D402SB-S6S-X12

ALLOY J-HOOK HUB
 WEIGHT
 177L-11S 615G
 177L-S11 601G
 SEALED BEARING 6
 SPOKE HOLES 32
 GAUGE 14
 O.L.D 177
 AXLE 12
 AXLE MATERIAL CRMO
 P.C.D 62
 F.T.F 74.6
 OFFSET 20
 PAWLS 6
 XD DRIVER COMPATIBLE





S-CLUB

D101DSE

ALLOY J-HOOK HUB
 WEIGHT 287G
 SPOKE HOLES 32
 GAUGE 13/14
 O.L.D 135
 AXLE 9
 AXLE MATERIAL CRMO
 P.C.D 58
 F.T.F 79



S-CLUB

D103DSE

ALLOY J-HOOK HUB
 WEIGHT 348G
 SPOKE HOLES 32 36
 GAUGE 14
 O.L.D 135
 AXLE 3/8X175、180
 AXLE MATERIAL CRMO
 P.C.D 58
 F.T.F 79



S-CLUB

D102TSE

ALLOY J-HOOK HUB
 WEIGHT 490G
 SPOKE HOLES 32
 GAUGE 14
 O.L.D 190
 AXLE 10
 AXLE MATERIAL CRMO
 P.C.D 58
 F.T.F 78
 OFFSET 20
 PAWLS 2



S-CLUB

D104TSE

ALLOY J-HOOK HUB
 WEIGHT 609G
 SPOKE HOLES 32 36
 GAUGE 14
 O.L.D 190
 AXLE 3/8X240
 AXLE M10X235
 AXLE MATERIAL CRMO
 P.C.D 58
 F.T.F 98
 OFFSET 20
 PAWLS 2



FAATBIKE



DIRT JULIA

S

SL

SP

PRO⁺

PRO

D252SBT
D252SB-BO-AA

XD641SB-15
XD262SB-A6A

TEAM

AH41SB
D256SBT

ELITE

CLUB

D236DSE
D266DSE





SL-PRO

XD641SB-15

ALLOY J-HOOK DISC HUB
WEIGHT 186G
SEALED BEARING 2
SPOKE HOLES 28 32
GAUGE 14
O.L.D 100
AXLE 15
AXLE MATERIAL ALLOY
P.C.D 58
F.T.F 59.5
OFFSET 5.9



SL-PRO

XD262SB-A6A

ALLOY J-HOOK DISC HUB
WEIGHT 370G
SEALED BEARING 4
SPOKE HOLES 32
GAUGE 14
O.L.D 135/142
AXLE 10/12
AXLE MATERIAL ALLOY
P.C.D 62
F.T.F 72.9
OFFSET 0.7
PAWLS 6
9T-DRIVER UNIT COMPATIBLE



S-PRO

D252SBT

ALLOY J-HOOK DISC HUB
WEIGHT 480G
SEALED BEARING 4
SPOKE HOLES 32
GAUGE 14
O.L.D 135
AXLE 10
AXLE MATERIAL CRMO
P.C.D 58
F.T.F 74.9
PAWLS 4



S-PRO

D252SB-BO-AA

ALLOY J-HOOK DISC HUB
WEIGHT 326G
SEALED BEARING 4
SPOKE HOLES 32
GAUGE 14
O.L.D 135
AXLE 10
AXLE MATERIAL ALLOY
P.C.D 58/49
F.T.F 74.9
OFFSET 5
PAWLS 4





S-TEAM

AH41SB

ALLOY J-HOOK DISC HUB
 WEIGHT 138G
 SEALED BEARING 2
 SPOKE HOLES 32
 GAUGE 14
 O.L.D 100
 AXLE 15
 AXLE MATERIAL CRMO
 P.C.D 45
 F.T.F 72.4



S-CLUB

D236DSE

ALLOY J-HOOK DISC HUB
 WEIGHT 530G
 SPOKE HOLES 32 36
 GAUGE 14
 O.L.D 135
 AXLE 3/8X175
 AXLE M10X185
 AXLE MATERIAL CRMO
 P.C.D 58
 F.T.F 71
 PAWLS 3



S-TEAM

D256SBT

ALLOY J-HOOK DISC HUB
 WEIGHT 560G
 SEALED BEARING 4
 SPOKE HOLES 32
 GAUGE 14
 O.L.D 135
 AXLE M10X180、185
 AXLE MATERIAL CRMO
 P.C.D 58
 F.T.F 75.5
 PAWLS 4



S-CLUB

D266DSE

ALLOY J-HOOK DISC HUB
 WEIGHT 368G
 SPOKE HOLES 36
 GAUGE 14
 O.L.D 135
 AXLE M10X175、185
 AXLE MATERIAL CRMO
 P.C.D 58
 F.T.F 72
 OFFSET 1.71





DIRTY JUMP



BMW

S

SL

SP

PRO⁺

PRO

TEAM F176SBT

ELITE 2155SBT A075SBT
2156SBT A076SBT

CLUB 2155SE A076
2156SE S01E
F036-14 S01F
A075



S-TEAM

F176SBT

ALLOY J-HOOK HUB
 WEIGHT 496G
 SEALED BEARING 4
 SPOKE HOLES 20 28 32 36
 GAUGE 14
 O.L.D 110
 AXLE 3/8X160、165
 AXLE MATERIAL CRMO
 P.C.D 49
 F.T.F 57
 PAWLS 4



S-ELITE

2155SBT

ALLOY J-HOOK HUB
 WEIGHT 257G
 SPOKE HOLES 28 36
 GAUGE 14
 O.L.D 96/100
 AXLE 3/8X140、150、160
 AXLE MATERIAL CRMO
 P.C.D 38
 F.T.F 68



S-ELITE

A075SBT

ALLOY J-HOOK HUB
 WEIGHT 440G
 SEALED BEARING 2
 SPOKE HOLES 36
 GAUGE 14
 O.L.D 100
 AXLE 3/8X155、170
 AXLE MATERIAL CRMO
 P.C.D 45
 F.T.F 72



S-ELITE

2156SBT

ALLOY J-HOOK HUB
 WEIGHT 312G
 SPOKE HOLES 36
 GAUGE 14
 O.L.D 110/112/114
 AXLE 3/8X180
 AXLE MATERIAL CRMO
 P.C.D 43.5
 F.T.F 60



S-ELITE

A076SBT

ALLOY J-HOOK HUB
 WEIGHT 459G
 SEALED BEARING 2
 SPOKE HOLES 36
 GAUGE 14
 O.L.D 110
 AXLE 3/8X165、180
 AXLE MATERIAL CRMO
 P.C.D 45
 F.T.F 58





S-CLUB

2155SE

ALLOY J-HOOK HUB
WEIGHT 220G
SPOKE HOLES 24 28 36
GAUGE 14
O.L.D 100
AXLE 3/8X140、150、160
AXLE MATERIAL CRMO
P.C.D 38
F.T.F 67



S-CLUB

F036-14

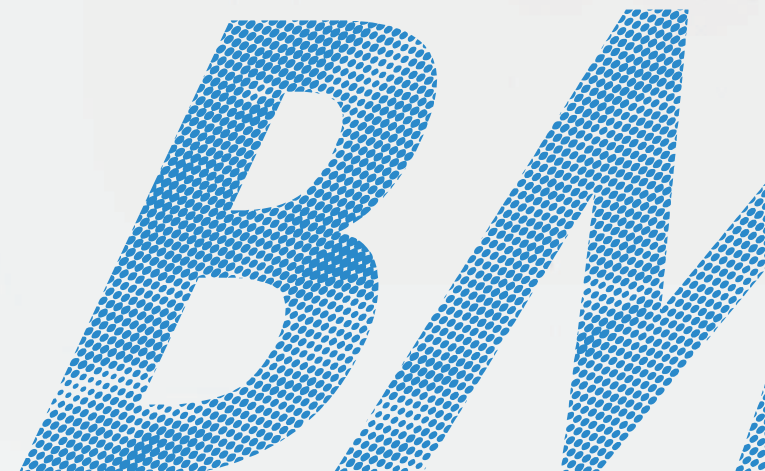
ALLOY J-HOOK HUB
WEIGHT 596G
SPOKE HOLES 32 36 48
GAUGE 14
O.L.D 110/112
AXLE 14X180、185
AXLE MATERIAL CRMO
P.C.D 58
F.T.F 58
PAWLS 3



S-CLUB

2156SE

ALLOY J-HOOK HUB
WEIGHT 250G
SPOKE HOLES 24 28 36
GAUGE 14
O.L.D 114
AXLE 3/8X155、160、170
AXLE MATERIAL CRMO
P.C.D 43.5
F.T.F 60





S-CLUB

A075

ALLOY J-HOOK HUB
WEIGHT 410G
SPOKE HOLES 36 48
GAUGE 14
O.L.D 100
AXLE 3/8X140
AXLE M14X165
AXLE MATERIAL CRMO
P.C.D 45
F.T.F 72



S-CLUB

A076

ALLOY J-HOOK HUB
WEIGHT
3/8---298G
M14---399G
SPOKE HOLES 20 36 48
GAUGE M14
O.L.D 110
AXLE 3/8X165、175
AXLE M14X185
AXLE MATERIAL CRMO
P.C.D 45
F.T.F 58



S-CLUB

S01E

STEEL J-HOOK HUB
WEIGHT 344G
SPOKE HOLES 36
GAUGE 14
O.L.D 100
AXLE 3/8X165
AXLE MATERIAL CRMO
P.C.D 45
F.T.F 54



S-CLUB

S01F

STEEL J-HOOK HUB
WEIGHT 496G
SPOKE HOLES 36
GAUGE 14
O.L.D 110
AXLE 3/8X175
AXLE MATERIAL CRMO
P.C.D 45
F.T.F 57



TRACK BIKE

S

SL

SP

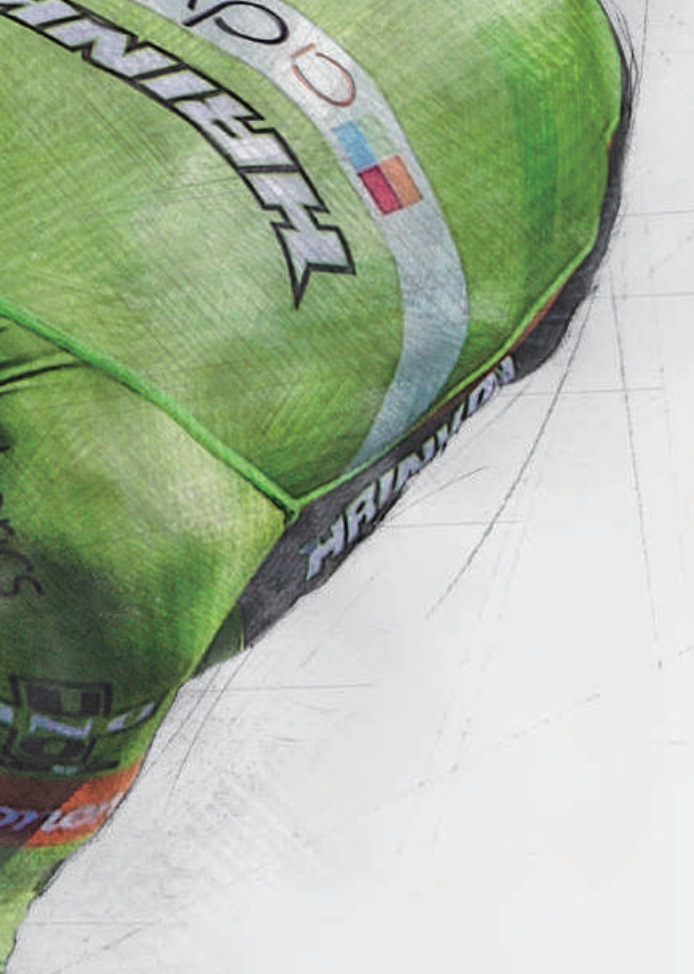
PRO⁺

PRO

TEAM

ELITE A565SBT
 A566SBT

CLUB A565DSE
 A566DSE



S-ELITE

A565SBT

ALLOY J-HOOK HUB
WEIGHT 214G
SEALED BEARING 2
SPOKE HOLES 28 32
GAUGE 14
O.L.D 100
AXLE M9X140、145、150、160
AXLE MATERIAL CRMO
P.C.D 62
F.T.F 70



S-CLUB

A565DSE

ALLOY J-HOOK HUB
WEIGHT 212G
SPOKE HOLES 32
GAUGE 14
O.L.D 100
AXLE 3/8X140、145、150
AXLE MATERIAL CRMO
P.C.D 62
F.T.F 70



S-ELITE

A566SBT

ALLOY J-HOOK HUB
WEIGHT 280G
SEALED BEARING 2
SPOKE HOLES 28 32
GAUGE 14
O.L.D 120
AXLE M10X165、170
AXLE MATERIAL CRMO
P.C.D 62
F.T.F 60



S-CLUB

A566DSE

ALLOY J-HOOK HUB
WEIGHT 300G
SPOKE HOLES 32
GAUGE 14
O.L.D 120
AXLE 3/8X170、185
AXLE MATERIAL CRMO
P.C.D 62
F.T.F 60

CITYBIKE

S

SL

SP

PRO⁺

PRO

TEAM

ELITE

CLUB

301	F364TSE-135	752DSE	433
511	756DSE	753DSE	434
431	823A	754DSE	
432	751DSE	436/436DT	





S-CLUB

301

STEEL J-HOOK HUB

WEIGHT

55L 5/16...150G

71L 3/8...202G

SPOKE HOLES 16 20 28 36

GAUGE 14

O.L.D 93/100

AXLE 3/8X100、115、130、135、140、145

AXLE 5/16X105、115、120、135、145

AXLE MATERIAL CRMO

P.C.D 34

F.T.F 60/71



S-CLUB

511

STEEL J-HOOK HUB

WEIGHT 459G

SPOKE HOLES 28 36

GAUGE 14

O.L.D 114

AXLE 3/8X180

AXLE MATERIAL CRMO

P.C.D 45

F.T.F 54.5

PAWLS 2



S-CLUB

431

STEEL J-HOOK HUB

WEIGHT 188G

SPOKE HOLES 28 32 36

GAUGE 14

O.L.D 100

AXLE 9

AXLE MATERIAL CRMO

P.C.D 38

F.T.F 56/61.5/69



S-CLUB

432

STEEL J-HOOK HUB

WEIGHT 332G

SPOKE HOLES 28 32 36

GAUGE 14

O.L.D 130/135

AXLE 10

AXLE MATERIAL CRMO

P.C.D 45

F.T.F 57



S-CLUB

F364TSE-135

ALLOY J-HOOK HUB
 WEIGHT 447G
 SPOKE HOLES 24 28 32 36
 GAUGE 14
 O.L.D 135
 AXLE 10X175、180、185
 AXLE MATERIAL CRMO
 P.C.D 45
 F.T.F 50.8
 OFFSET 4.29
 PAWLS 2



S-CLUB

756DSE

ALLOY J-HOOK HUB
 WEIGHT 332G
 SPOKE HOLES 36
 GAUGE 14
 O.L.D 110
 AXLE 3/8X155、175
 AXLE MATERIAL CRMO
 P.C.D 45
 F.T.F 57



S-CLUB

751DSE

ALLOY J-HOOK HUB
 WEIGHT 153G
 SPOKE HOLES 20 28 32 36
 GAUGE 13/14
 O.L.D 100
 AXLE 9
 AXLE MATERIAL CRMO
 P.C.D 38
 F.T.F 72



S-CLUB

823A

ALLOY J-HOOK HUB
 WEIGHT 149G
 SPOKE HOLES 20 36
 GAUGE 14
 O.L.D 93/100
 AXLE 3/8X135、140、145、150
 AXLE MATERIAL CRMO
 P.C.D 34
 F.T.F 64



S-CLUB

752DSE

ALLOY J-HOOK HUB
 WEIGHT 268G
 SPOKE HOLES 28 32 36
 GAUGE 13/14
 O.L.D 130/135
 AXLE 10
 AXLE MATERIAL CRMO
 P.C.D 45
 F.T.F 57



S-CLUB

753DSE

ALLOY J-HOOK HUB
 WEIGHT 196G
 SPOKE HOLES 28 32 36
 GAUGE 13/14
 O.L.D 100
 AXLE 3/8X140、145、150
 AXLE M9X140
 AXLE MATERIAL CRMO
 P.C.D 38
 F.T.F 72



S-CLUB

754DSE

ALLOY J-HOOK HUB
 WEIGHT 301G
 SPOKE HOLES 28 32 36
 GAUGE 13/14
 O.L.D 135
 AXLE 3/8X180、185
 AXLE MATERIAL CRMO
 P.C.D 45
 F.T.F 57



S-CLUB

436/436DT

STEEL J-HOOK HUB
 WEIGHT 363G
 SPOKE HOLES 16 20 28 36
 GAUGE 14
 O.L.D 112/114
 AXLE 3/8X165、180、190、195、200
 AXLE MATERIAL CRMO
 P.C.D 45
 F.T.F 57



S-CLUB

433

STEEL J-HOOK HUB
 WEIGHT 200G
 SPOKE HOLES 28 32 36
 GAUGE 14
 O.L.D 94/100
 AXLE 3/8X135、140、145
 AXLE MATERIAL CRMO
 P.C.D 38




S-CLUB

434

STEEL J-HOOK HUB
 WEIGHT 332G
 SPOKE HOLES 28 32 36
 GAUGE 14
 O.L.D 126/130
 AXLE 3/8X170、175、180、185、190
 AXLE MATERIAL CRMO
 P.C.D 45
 F.T.F 57
 OFFSET 6.5

FOLDING BIKE



S

SL

SP

PRO⁺

PRO

TEAM

D083SB
A551SB

ELITE

A215SB
A011SB-BO
F316SBT

CLUB

A215



S-TEAM

D083SB

ALLOY J-HOOK DISC HUB
 WEIGHT 187G
 SEALED BEARING 2
 SPOKE HOLES 20 24 28 32
 GAUGE 14
 O.L.D 74
 AXLE 9
 AXLE MATERIAL CRMO
 P.C.D 58
 F.T.F 36.4



S-TEAM

A551SB

ALLOY J-HOOK DISC HUB
 WEIGHT 70G
 SEALED BEARING 2
 SPOKE HOLES 20 24
 GAUGE 14
 O.L.D 74
 AXLE 9
 AXLE MATERIAL ALLOY
 P.C.D 30
 F.T.F 48.4



S-ELITE

A215SB

ALLOY J-HOOK HUB
 WEIGHT 112G
 SEALED BEARING 2
 SPOKE HOLES 20 28
 GAUGE 14
 O.L.D 74
 AXLE 9X74
 AXLE MATERIAL CRMO
 P.C.D 38
 F.T.F 48



S-ELITE

A011SB-BO

ALLOY J-HOOK HUB
 WEIGHT 100G
 SEALED BEARING 2
 SPOKE HOLES 12
 GAUGE 14
 O.L.D 74 82 92
 AXLE 9
 AXLE MATERIAL CRMO
 P.C.D 30
 F.T.F 42.7



S-ELITE

F316SBT

ALLOY J-HOOK HUB
 WEIGHT 335G
 SEALED BEARING 2
 SPOKE HOLES 20 28
 GAUGE 14
 O.L.D 80
 AXLE 3/8X118、135
 AXLE MATERIAL CRMO
 P.C.D 45
 F.T.F 48
 OFFSET 8
 PAWLS 2



S-CLUB

A215

ALLOY J-HOOK HUB
 WEIGHT 173G
 SEALED BEARING 2
 SPOKE HOLES 20 28
 GAUGE 14
 O.L.D 74
 AXLE 3/8X115、120
 AXLE MATERIAL CRMO
 P.C.D 38
 F.T.F 48



QUICK RELEASE

MOLD	OLD	PITCH	B+-1	THREAD LENGTH	WITH NUT	SYSTEM
ROAD (TA 12)	100	M12XP1.5	120	12		
		M12XP1.5	121.5	13.5		SHIMANO
		M12XP1.5	125	16		SRAM
		M15XP1.5	125	16		SRAM
	142	M12XP1.5	163.5	13.5		SHIMANO
MTB (TA 15) (TA 12)	100	M14XP1.5	145	16	✓	FOX
		M15XP1.5	150	20		SRAM
	142	M12XP1.5	165	18		SHIMANO
		M12XP1.0	166	20	✓	SYNTACE
						DTSWISS
		M12XP1.75	167	20		SRAM
		M12XP1.5	170	18	✓	SHIMANO
		M12XP1.5	172	18	✓	SHIMANO
	M12XP1.75	174	20		SRAM	
	148	M12XP1.5	178	18	✓	SHIMANO
		M12XP1.75	180	20		SRAM
FAT BIKE (TA 15) (TA 12)	150	M15XP1.5	199	12		ROCKSHOX
	197	M12XP1.5	227	18	✓	SHIMANO
		M12XP1.75	229	20		SRAM

STANDARD

QR270

F 53 G R 58 G



STANDARD

QR274

F 52 G R 57 G



M9/M10

QR279

F 78 G R 109 G



TA

TA 12

43 G



STANDARD

QR279

F 47 G R 52 G



STANDARD

QR249

F 40 G R 45 G



STANDARD

QR227

F 54 G R 58 G



STANDARD

QR216

F 31 G R 36 G



TA

TA 15

56 G



TA

QR264

F 79 G R 93 G



TA

QR269

F 64 G R 76 G



TA

QR278

47 G

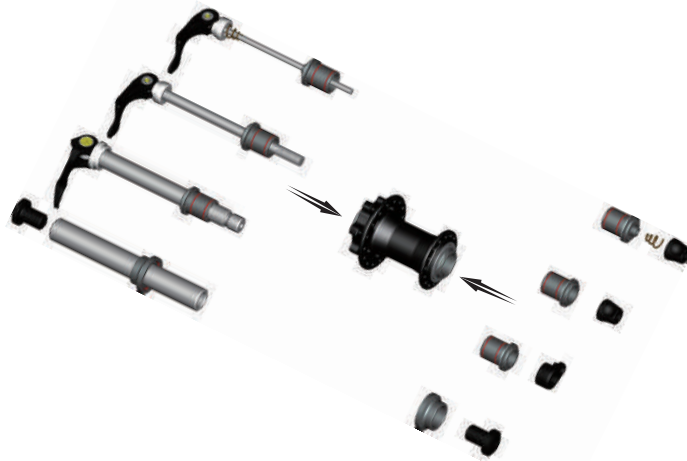


TECHNOLOGY

MULTI AXLE SYSTEM-FRONT

MULTI AXLE SYSTEM QR / 09 / 12 / 15

FOUR IN ONE SYSTEM, ALLOWING CONVERSION BETWEEN QR, 09, 12 & 15 AXLES FOR FRONT HUBS. MOST VARIABLE SYSTEM FOR WIDE RANGE OF USING EASY INTERCHANGEABLE PARTS.



MULTI AXLE SYSTEM-REAR

MULTI AXLE SYSTEM QR / 10 / 12 / X12

FOUR IN ONE SYSTEM, ALLOWING CONVERSION BETWEEN QR, 10, 12 & X12 AXLES FOR REAR HUBS. MOST VARIABLE SYSTEM FOR WIDE RANGE OF USING EASY INTERCHANGEABLE PARTS.



MULTI AXLE SYSTEM

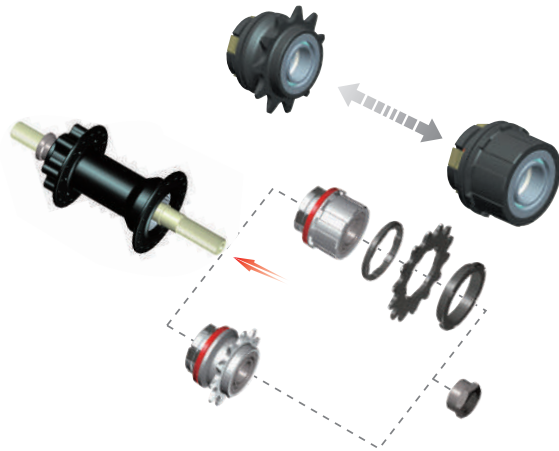
ALLOWING CONVERSION BETWEEN STANDARD QR, 09, 12, 15





2 IN 1 SYSTEM

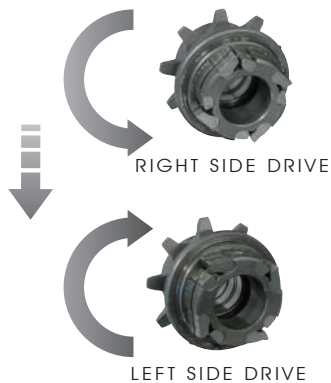
TWO IN ONE SYSTEM FOR DIRT JUMP
TWO IN ONE SYSTEM ALLOWS FOR EASY INTERCHANGE BETWEEN FREEWHEEL AND DRIVE UNIT



LEFT - RIGHT DRIVE

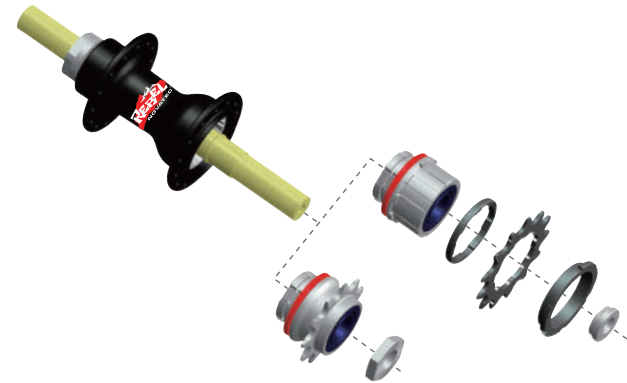
LEFT - RIGHT DRIVE FOR BMX
LEFT - RIGHT DRIVE SYSTEM WITH SPECIAL RATCHET RINGS ALLOW YOU TO CHANGE FROM RIGHT SIDE DRIVE TO LEFT SIDE DRIVE.

TW PATENT NO : M376441
EU PATENT NO : NR202011004253.7



LEFT - RIGHT DRIVE

ONE MODEL TWO SYSTEM FOR BMX
FLEXIBLE SYSTEM ALLOW YOU TO CHOOSE THE NUMBER OF TEETH EASY TO CHANGE IN BETWEEN CASSETTE & DRIVE UNIT THE SYSTEM IS APPLICABLE FOR ANY REAR BMX 4SB HUB



COMPONENTS



SPROCKET SLS
16T, 17T, 18T
TW PATENT
NO : M377343



LOCK RING AL



WATER
RESISTANT



SEAL



SEALED
BEARING



SIDE CAP



SPACER



RATCHET RING
SCM415 18G



5 PAWLS FOR MTB + SPRING
4 PAWLS FOR MTB + SPRING
3 PAWLS FOR ROAD + SPRING

TECHNOLOGY



TSE/TA-TSE/TSBT/TA-TSB

2 PAWLS WITH 15T LOOSE BALL/SEALED BEARINGS CASSETTE BODY



SMALL INNER Ø



WIDER INNER Ø



F2-233

3 PAWLS WITH 33T 2 SEALED BEARINGS CASSETTE BODY



MS FREEHUB AND AXLE SET

SHIMANO MICRO SPLINE CASSETTE BODY AND AXLE



A327

3 PAWLS WITH 27T 2 SEALED BEARINGS OD12 CASSETTE BODY



B427/B2-427

4 PAWLS WITH 27T 2 SEALED BEARINGS OD15 CASSETTE BODY



LIGHT WEIGHT



E440

4 PAWLS WITH 40T 2 SEALED BEARINGS OD17 CASSETTE BODY



D AXLE SET



R642

6 PAWLS WITH 42T 2 SEALED BEARINGS OD17 CASSETTE BODY



ROAD



A.B.G. ANTI BITE GUARD

A REINFORCED STEEL RIB INTEGRATED INTO ALLOY CASSETTE BODY SPLINES TO MITIGATE DAMAGE FROM DRIVE FORCES

TW PATENT NO. M382208

JP PATENT NO. 3159796

DE PATENT NO. 2020100001830.7

CN PATENT NO. ZL201020115939.X

USA PROCESS NO, 12/702.689



ROAD



EASY 3 IN 1 SYSTEM

HUB CONTAINS EVERY PARTS TO INTERCHANGE SHIM/SRAM/CAMPY CONVERSION BETWEEN:

SHIMANO 8/9/10/11S

SRAM XDR DRIVER

CAMPAGNOLO 9/10/11/12S



SHIMANO / SRAM



SRAM XDR DRIVER



CAMPAGNOLO

CASSETTE BODY SYSTEM

PART NUMBER	FREEHUB TYPE	HUB MODELS	MATERIALS	SYSTEM	NOTICE
P012-0048	A-327	F172SB-11S	ALLOY	SHIMANO-11S	BLACK
P012-0095				SRAM XDR	
P012-0066	B-427	F482SB-11S	Alloy	SHIMANO-11S	W/1.5MM WASHER
		D792SB-11S			
P012-0042		D792SB-11S	STEEL		
P012-0010		F482SB-XDR	ALLOY	SRAM XDR	
		D792SB-XDR			
P019-0013	E-440	D902SB-B12-A4A-MS	ALLOY	SHIMANO-12S	W/ALLOY ALEX
P019-0019		D902SB-CL-X12-A4A-MS			
P019-0026		D902SB-B12-S4S-MS	STEEL	W/STEEL ALEX	
P012-0088		D902SB-B12-11S	ALLOY	SHIMANO-11S	BLACK,W/1.5MM WASHER
P012-0092		D902SB-B12-S11		SRAM XD	
P012-0096		D902SB-B12-11S	STEEL	SHIMANO-11S	BLACK,W/1.5MM WASHER
P012-0091		D902SB-B12-S11		SRAM XD	
P012-0070		B2-427	F482SB-SL-11S	ALLOY	SHIMANO-11S
	FS522SB-11S				
	D142SB-11S				

PART NUMBER	FREEHUB TYPE	HUB MODELS	MATERIALS	SYSTEM	NOTICE
P019-0011	F2-333	D462SB-SL-X12-MS/D162SB	STEEL	SHIMANO-12S	W/STEEL ALEX
P019-0017		D462SB-SL-B12-MS/D162SB			
P012-0014		D462SB-11S/D162SB-11S		SHIMANO-11S	W/1.5MM WASHER
P012-0028		D462SB-S11/S162SB-S11		SRAM XD	
P012-0058	R-642	XD642SB-ABG	ALLOY	SHIMANO	6 PAWLS ENGAGEMENT
P012-0094		XD642SB-S11		SRAM XD	6 PAWLS ENGAGEMENT
P041-0036	TSE	D762TSE	STEEL	SHIMANO	
		F362TSE			
		F364TSE			
		D144TSE			
P041-0039		D762TSE-11S		SHIMANO-11S	
		F362TSE-11S			
		F364TSE-11S			
		D144TSE-11S			
P041-0044	TA-TSE	D952TSE-B12	STEEL	SHIMANO-10S	
P041-0037		D952TSE-B12-11S		SHIMANO-11S	
P041-0002	TSBT	D762TSBT	STEEL	SHIMANO-10S	
P041-0043		F362TSBT		SHIMANO-11S	
		D762TSBT-11S			
F362TSBT-11S					
P041-0041	TA-TSB	D952TSB-B12	STEEL	SHIMANO-10S	
P041-0042		D982TSB-X12-11S		SHIMANO-11S	

GLOBAL

AUSTRALIA

BICYCLE PARTS WHOLESALE
ADDRESS: 76-80 Micro Circuit, Dandenong, Vic 3175 Australia
TEL: +61-3-9702 9044
FAX: +61-3-9702 9144
E-MAIL:sales@bicyclepartswholesale.com.au
WEB:www.bicyclepartswholesale.com.au

AUSTRIA (EU)

MESSINGSCHLAGER GmbH & Co. KG
ADDRESS: Hassbergstrasse 45, D 96148 Baunach, Germany
TEL: +49-9544 944 445
FAX: +49-9544 944 440
E-MAIL:info@messingschlagel.com
WEB:www.novatec.messingschlagel.com

ARGENTINA

FERRARIS SRL
ADDRESS: Piedras 1321/23 (C1140ABC), Buenos Aires, Argentina
TEL/Fax: 54-11-4307-6723/6013
E-MAIL:ventas@ferrarisrl.net

BELGIUM

Dewo-Europe NV
ADDRESS: Steenstraat 16, 1570 Vollezele, Belgium
TEL: +32 - 54 56 79 81
FAX: +32 - 54 56 70 99
E-MAIL:info@dewo-europe.com
WEB:www.dewo-europe.com

CHILE

OXFORD S.A.
ADDRESS: Orden De Malta 1434, Providencia Santiago, Chile
TEL: +56-463 2000
FAX: +56-2-235 7332
E-MAIL:vheresmann@oxford.cl
WEB:www.oxford.cl

CHINA

JOY INDUSTRIAL(SHEN ZHEN) CO., LTD.
ADDRESS: Chuang Ye Road 12, The Third Industrial
Zone, Shui Tian Shi Yan Town, Bao An ShenZhen, China (518108)
TEL: +86-755-2968 4800
FAX: +86-7552968 4727
E-MAIL:szsales@joy-tech.com.tw

CZECH REP. (EU)

DEMA Senica, a.s.
ADDRESS: Dlha 248, 905 01 Senica, Slovakia
TEL: +421-34-6945 240
FAX: +421-34-6945 102
E-MAIL:sport@dema.sk
WEB:www.dema.sk

GERMANY (EU)

MESSINGSCHLAGER GmbH & Co. KG
ADDRESS: Hassbergstrasse 45, D 96148 Baunach, Germany
TEL: +49-9544 944 445
FAX: +49-9544 944 440
E-MAIL:info@messingschlagel.com
WEB:www.novatec.messingschlagel.com

HUNGARY (EU)

NEUZER KFT.
ADDRESS: H-2500 Esztergom, Eotvos U.48, Hungary
TEL: +36-33-500 580
FAX: +36-33-411 116
E-MAIL:info@neuzer.hu
WEB:www.neuzer-bike.hu

INDONESIA

PT BINTANG TIMUR
ADDRESS: Jl. Anggrek Neli Murni No. 114 Slipi Jakarta Barat 11480,
Indonesia
TEL: +6221-6300555
E-MAIL:sales@bintang-timur.com

ITALY

CICLI FINA srl.
ADDRESS: Via Piersanti Mattarella 2
930 10 Serradifalco (CL)
Italy
TEL: +39-0934932422
E-MAIL:ciclifinasrl@gmail.com
WEB:www.ciclifina.it

ISRAEL

MOTOFAN SAHAR 2002 LTD.
ADDRESS: Arie Regev 17 Netanya 42502, ISRAEL
TEL: +972-9-885-6602
WEB:https://moto-ofan.co.il/

JAPAN

YOSHIKAWA MFG. CO., LTD.
ADDRESS: 4-14-28 Gamo, Koshigaya, Saitama, 343-0838, Japan
TEL: +81-48-990-1735
FAX: +81-48-990-1736
E-MAIL:info@ysb-brake.co.jp
WEB:www.actionsports.co.jp

MACEDONIA

CYCLO MANIA INT.doo
ADDRESS: Radnoti Miklos 2, 21235 Temerin, Vojvodina, Serbia
TEL: +381-69-5500777
E-MAIL:office@cyclo-mania.com
WEB:www.cyclo-mania.com

MALAYSIA

HUAN SCHEN Sdn. Bhd.
ADDRESS: No.12, Jalan TIAJ 2/5, Taman Industri Alam Jaya,
Bukit Chera, 42300 Selangor, Malaysia
TEL: +603 6038 6788
FAX: +603 6038 9788
E-MAIL:huanschen@gmail.com or info@huanschen.com.my
WEB:www.huanschen.com.my

MONTENEGRO

CYCLO MANIA INT.doo
ADDRESS: Radnoti Miklos 2, 21235 Temerin, Vojvodina, Serbia
TEL: +381-69-5500777
E-MAIL:office@cyclo-mania.com
WEB:www.cyclo-mania.com

PERU

DISARVA ASOCIADOS S.R.L.
ADDRESS: JR.Helio 5695 Urb. Industrial Infantas Los Olivos JR.Luna Pizarro 120 La Victoria-Lima, Peru
TEL: +511-528 8801
FAX: +511-544 3038
E-MAIL:cesarbautista@disarva.net
WEB:www.disarva.com

PHILIPPINES

HATCH MOTO PRO CORP.
ADDRESS : #51 Guirayan St., Brgy. Dona Imelda Quezon City, Philippines
FAX: +(0632) 713-5083
CEL: +639175373612
E-MAIL:hatchmp@gmail.com

POLAND (EU)

SPEEDER
ADDRESS: Ul. Polna 5, 62-095 Murowana Goslina, Poland
TEL: +48-61 812 2051
FAX: +48-61 811 3034
E-MAIL:biuro@speeder.com.pl
WEB:www.speeder.com.pl

ROMANIA (EU)

DHS BIKE PARTS s.r.l.
ADDRESS: Str.Santuhalm 35A, 330004 Deva City, Romania
TEL: +40-372 777 999
FAX: +40-372 872 651
E-MAIL:office@dhsbikeparts.ro / comenzionline@dhsbikeparts.ro
WEB:www.dhsbikeparts.ro

RUSSIA

VELOOLIMP
ADDRESS: Elektrodnyaya Ul., D.2, Str12-14, Moscow, 111524, Russia
TEL/FAX: +7-495-788 1952
E-MAIL:veloolimp@gmail.com / shop@veloolimp.com
WEB:https://veloolimp.com/

SERBIA

CYCLO MANIA INT. doo
ADDRESS: Radnoti Miklos 2, 21235 Temerin, Vojvodina, Serbia
TEL: +381-69-5500777
E-MAIL:office@cyclo-mania.com
WEB:www.cyclo-mania.com

SLOVAKIA (EU)

DEMA Senica, a.s.
ADDRESS: Dlha 248, 905 01 Senica, Slovakia
TEL: +421-34-6945 240
FAX: +421-34-6945 102
E-MAIL:sport@dema.sk
WEB:www.dema.sk

SWEDEN

PRIME CYCLING AB
ADDRESS: Medevigatan 17, 25657 Ramloa, Sweden
TEL: +46(0) 738-200990
E-MAIL:info@prime-cycling.se
WEB:https://www.prime-cycling.se/

TAIWAN

IRON STABLE CO., LTD
ADDRESS: No.32-6, Sanfeng Rd., Houli Dist., Taichung City 421, Taiwan (R.O.C.)
TEL: 04-2557-5422
FAX: 04-2556-7528
EMAIL:contact@ironstable.com.tw

THAILAND

P.T.T. PROGRESS CO., LTD
ADDRESS: 40/577 Moo 10 Rama 2 Rd., Bangmod Jomthong Bangkok 10150 Thailand
TEL: +66 2452 0940 - 1
FAX: +66 2452 1072
MOBILE: +66 81 810 2911
E-MAIL:wcibike@yahoo.com

UKRAINE

SPORTSYSTEMS
ADDRESS: Kiev Region,Pershogo Travnja str., 49, Novi Petrivci 07354, Vyshgorod District,Ukraine
TEL: +380-44-585 7035
FAX: +380-44-585 7036
E-MAIL:vtkhoryk@sportsys.com.ua

UNITED KINGDOM & IRELAND

EXTRA (UK) LTD.
ADDRESS: PO BOX 101, Wellingborough, NN8 9HA, U.K.
TEL: +44-1933 672 170
FAX: +44-1933 672 171
E-MAIL:mailbox@extrauk.co.uk
WEB:www.extrauk.co.uk

URUGUAY

AlKeus S.A.
ADDRESS: Rondeau 1847,Uruguay
TEL: 0059829249695
E-MAIL:contaco@scott-montevideo.com.uy
WEB:http://www.scott-montevideo.com.uy

USA

BIKE FETTISH
ADDRESS: 3943 Irvine Blvd Ste 295, Irvine, CA 92563, USA
TEL: +1 (951) 817-7741
E-MAIL:sales@bikefettish.com
WEB:www.bikefettish.com

UNITED ARAB EMIRATES

FUN RIDE SPORTS
ADDRESS: 3rd Floor, Be Sport Bike Shop, Mushrif Mall, Opposite TGIF, Airport Road, Abu Dhabi, UAE
TEL: +971 529426060 +971 529426070
E-MAIL:info@funridesports.com or maxim@besport.ae
WEB:www.funridesports.com
SOCIAL:www.facebook.com/FunRideSports



CREDIT

HRINKOW ADVARICS CYCLEANG TEAM P02 P09 P12 P13 P39

KELLYS FACTORY TEAM P03 P25

TOMAS LEMOINE P05 P06 P34

MAXIME PEYTHIEU P07 P08 P31

CARLO GAMBIRASIO P17P41

SLAVIK HANNES P21 PHOTO BY MARKUS SLAVIK PHOTOGRAPHY / P35 P38 PHOTO BY TRÖSCH MARKUS

DAN SHENG-SHENG CHIANG P24

PIXABAY.COM P30 P46

WWW.GOODFON.COM P28



WWW.NOVATECWHEELS.COM

AMERICA

EUROPE

ASIA

NOVATEC WHEELS US, INC.

1164 OLD 441 N. CLAYTON,
GA. 30525
U.S.A.

CUSTOMERSERVICE@NOVATECUSA.NET
T: +1 706 408 0139

NOVATEC EU S.R.O

SADOVA 2719/3C
905 01 SENICA
SLOVAKIA

INFO@NOVATECWHEEL.EU
T: +421 948 72 96 99

NOVATEC TAIWAN (HQ)

NO. 508, SEC 4.,
CHANGPING RD., DAYA DIST.,
TAICHUNG CITY, TAIWAN 42850
SERVICE@NOVATECWHEELS.COM

T: +886 4 25687150

NOVATECWHEELS SHENZHEN

NO 12 CHUANGYE ROAD
THE 3RD INDUSTRIAL ZONE
SHUITIAN VILLAGE, SHIYAN TOWN
BAOAN, SHENZHEN
CHINA 518108

SZSALES@JOY-TECH.COM.TW
T: +86 755 2968 4800